



Proudly made in Malaysia since 1984

SECTIONAL WATER STORAGE TANK



MALAYSIA



UNITED KINGDOM



FRANCE

SLS

Singapore Laboratory Services

SINGAPORE



SIRIM

MALAYSIA



Certified to
NSF/ANSI/CAN 61

USA



GLASS REINFORCED PLASTIC

HOT DIPPED GALVANIZED

PRESSED STAINLESS STEEL



West Port, Malaysia



Perak, Malaysia



Africa



Peru



Jakarta, Indonesia

INTRODUCTION

PIPECO was formed in 1984 as an engineering hardware company and ventured into sectional panel water tank business in 1989. To date, we have many years experience manufacturing water tanks. PIPECO has provided water storage solutions to many companies in world, supplying both pressed steel and GRP (Glass Reinforced Plastic) sectional water tanks. PIPECO is a global company, which already has partnerships in various countries, including: Malaysia, Singapore, South East Asia, Middle East countries such as U.A.E, Qatar, Saudi Arabia, Oman, Australia, Africa and Europe.

The production facilities are based in Port Klang, Malaysia, with an area of 20,000m². Our facilities have the capacities to annually produce 300,000 GRP tank panels and 50,000 pressed steel tank panels. This allows PIPECO to fulfill customer's expectations with competitive pricing, prompt delivery and consistent, high quality products.

PIPECO strives to provide the best quality product to the customer. We have a well established quality management system. Since 2003, PIPECO has been accredited the ISO 9001 standard. This ensures that the tank panel and accessories are produced under the most stringent quality audit and meet the required structural and durability performance. By using advanced automated production facilities and employing a team of highly skilled production staff, PIPECO is able to ensure that the tank panel and accessories produced conforms to a consistent high quality standard.

In addition, PIPECO values customer satisfaction and expectations. Therefore, PIPECO communicates with the clients throughout all stages of the tank provision; from the placing order, supply, installation and the final commissioning stage. This ensures that the specific requirements of the customers are met.

Production Facilities



Robotic Welding Machine



Fibre Laser Cutting Machine



Fibre Laser Cutting Machine



SMC Moulding Machines

GRP SECTIONAL WATER TANK



GRP SECTIONAL WATER TANK @ WEST PORT, MALAYSIA
PROJECT : BREAK BULK TERMINAL
TANK SIZE : 38m x 36m x 4m(H)
C/W CROSS PARTITION WITH 6 COMPARTMENTS



GENERAL SPECIFICATIONS

Standard : Malaysian Standard MS1390:2010 and Singapore Standard SS245:2014 which is equivalent with Part 3 of BS7491:1994 and BS13280:2001

Materials : Sheet Moulding Compound (SMC) consists of :

- a. Resin - Isophthalic unsaturated polyester resin conforming to BS 3532 or JIS K 6919 specifications
- b. Fiber Glass – Type “E” Glass comprises of alumino-borosilicate or alumino-calco-silicate, conforming to BS 3496 and BS 3749 specifications

Sheet Moulding Compound : ISO 8605

Panel Appearance/Colour : GREY

Manufacturing Process : Hot pressed SMC compression moulding

Tank Structural Support :

Optional A

Tie-rod System : External: Hot Dipped Galvanised Steel

Internal: SS304 Tie-rod, Optional SS316

Roof Support : PVC/ABS pipes with GRP roof panel stiffener

Optional B

External Braced System : External: Hot Dipped Galvanised Steel

Internal: None (metal free inside, non-partitioned tank only)

Roof Support : uPVC poles with GRP roof stiffener

Sealing Material : Non toxic PVC foam

Bolt, Nuts, Washers : External (Standard) : Hot Dipped Galvanised Steel, Optional : SS 304/316

Internal (Standard) : SS 304 (In-contact with water), Optional : SS 316

Roof (Standard) : Hot Dipped Galvanised Steel, Optional : SS 304/316

Ladder : External (Standard) : Hot Dipped Galvanised, 300mm Width

Internal (Standard) : uPVC or Aluminum, 300mm width, Optional : SS304/SS316

Optional : GRP or SS304/SS316, 300mm width

Water Level Indicator : Standard : Reverse Reading Pointer Mechanical Type (Cat & Mouse)

Optional : Direct Reading Clear Tube Type

Nozzle Panel : Pipe nozzles flange not inclusive
Flat panels to be provided on request

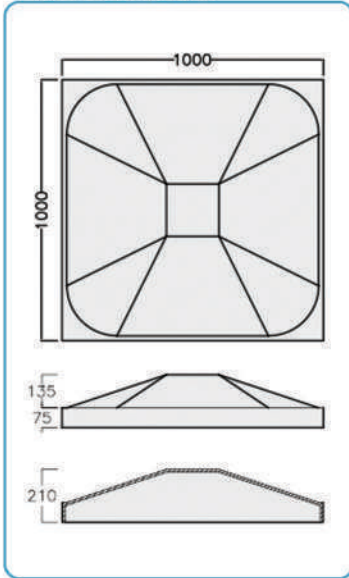
Tank Capacity : MS1390:2010 : 500,000L maximum and subject to 4 tier panels
SS245:2014 : Unlimited and subject to 4 tier panels maximum

Access Manhole : Ø600 mm minimum

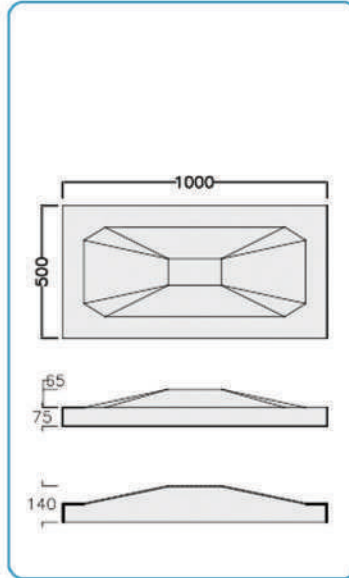
*Note: Specification may vary according to client's requirement.

GRP PANEL DESIGN

BASE PANEL

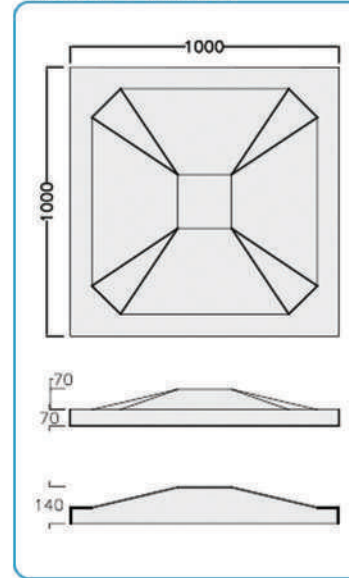


Base Panel 1m x 1m

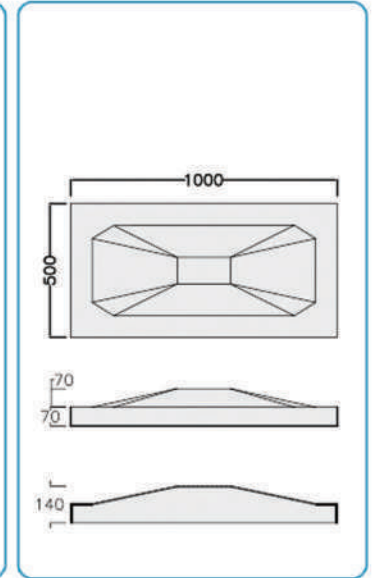


Base Panel 1m x 0.5m

ROOF PANEL

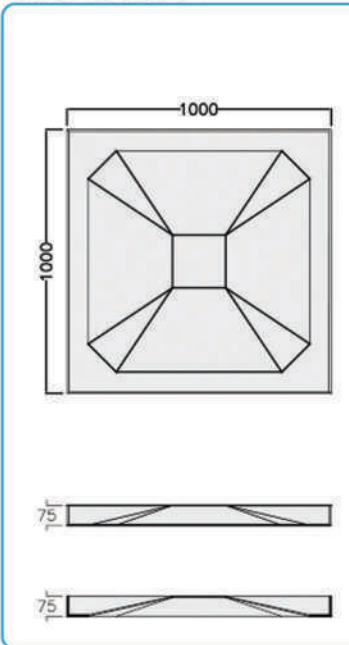


Roof Panel 1m x 1m

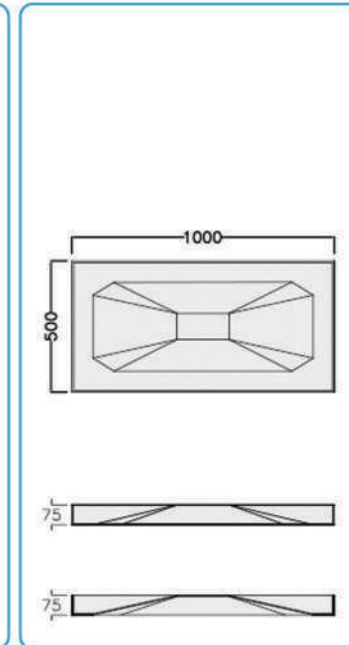


Roof Panel 1m x 0.5m

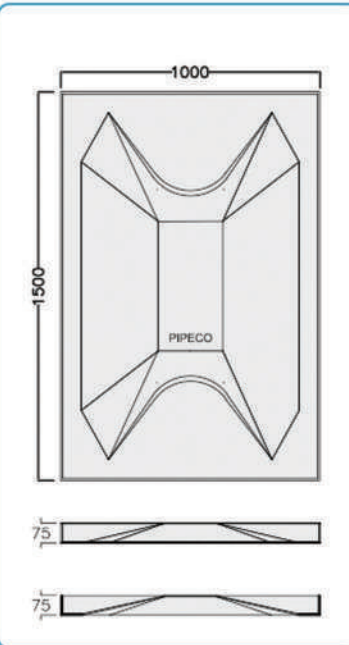
SIDE PANEL



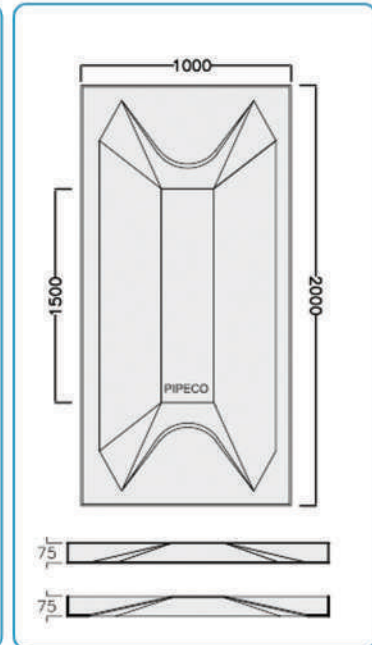
Side Panel 1m x 1m



Side Panel 1m x 0.5m



Side Panel 1m x 1.5m

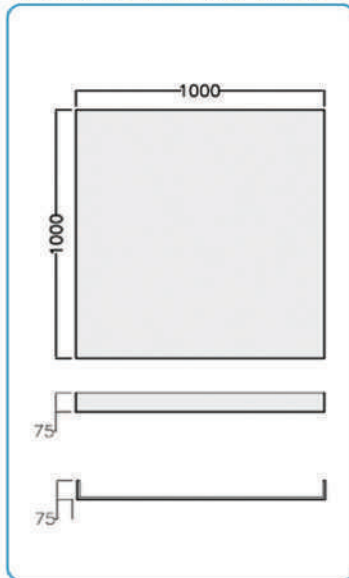


Side Panel 2m x 1m

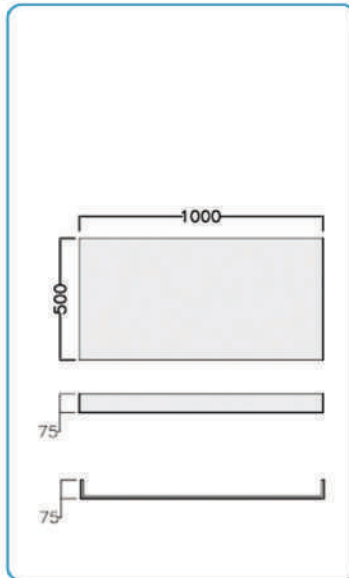
Performance of Panels

Characteristics	PIPECO GRP Tank Panel Performance	Acceptance Criteria (SS245:2014)	Acceptance Criteria (MS1390:2010)
Tensile Strength (MN/m ²)	117	70 (min)	70 (min)
Bending Strength (MN/m ²)	137	100 (min)	100 (min)
Elastic Modulus in Bend (MN/m ²)	13,129	6000 (min)	6000 (min)
Glass Content (%)	38	25 (min)	25 (min)
Barcol Hardness	44	30-90 (min)	30-90 (min)
Water Absorption (%)	0.04	1.0 (max)	1.0 (max)

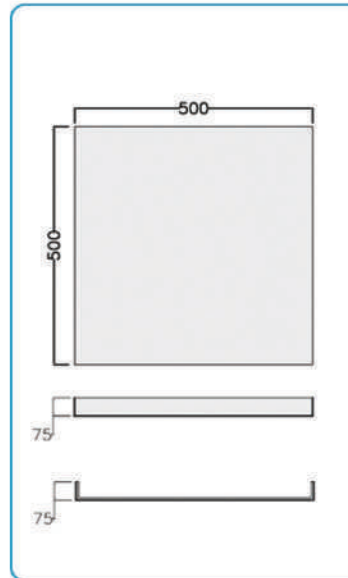
NOZZLE / FLAT PANEL



Nozzle/Flat Panel 1m x 1m

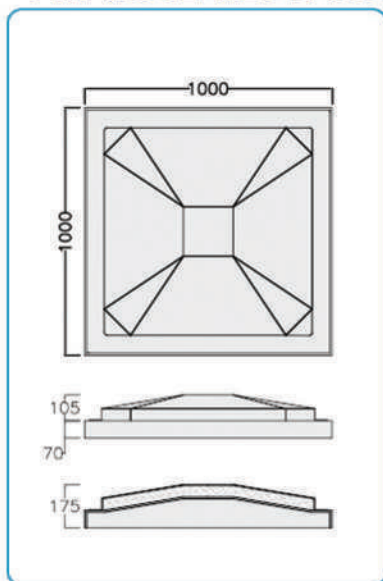


Nozzle/Flat Panel 1m x 0.5m

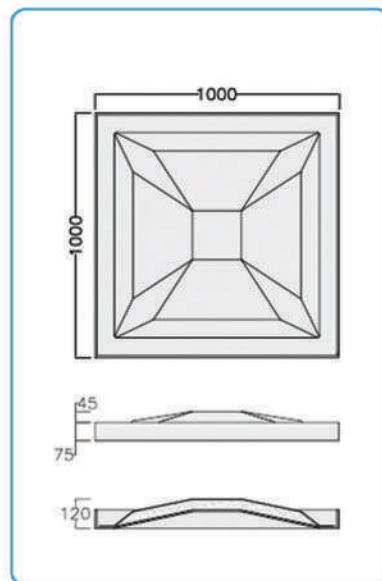


Nozzle/Flat Panel 0.5m x 0.5m

PRE-INSULATED PANEL

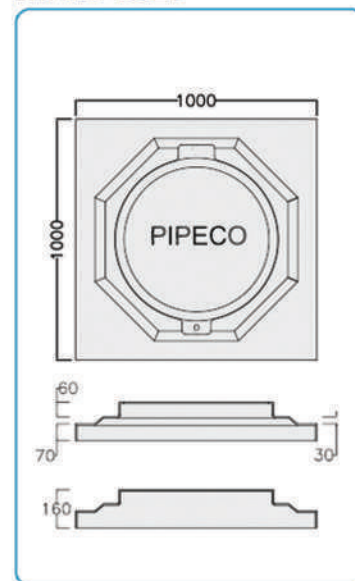


Top Panel 1m x 1m



Side Panel 1m x 1m

MANHOLE

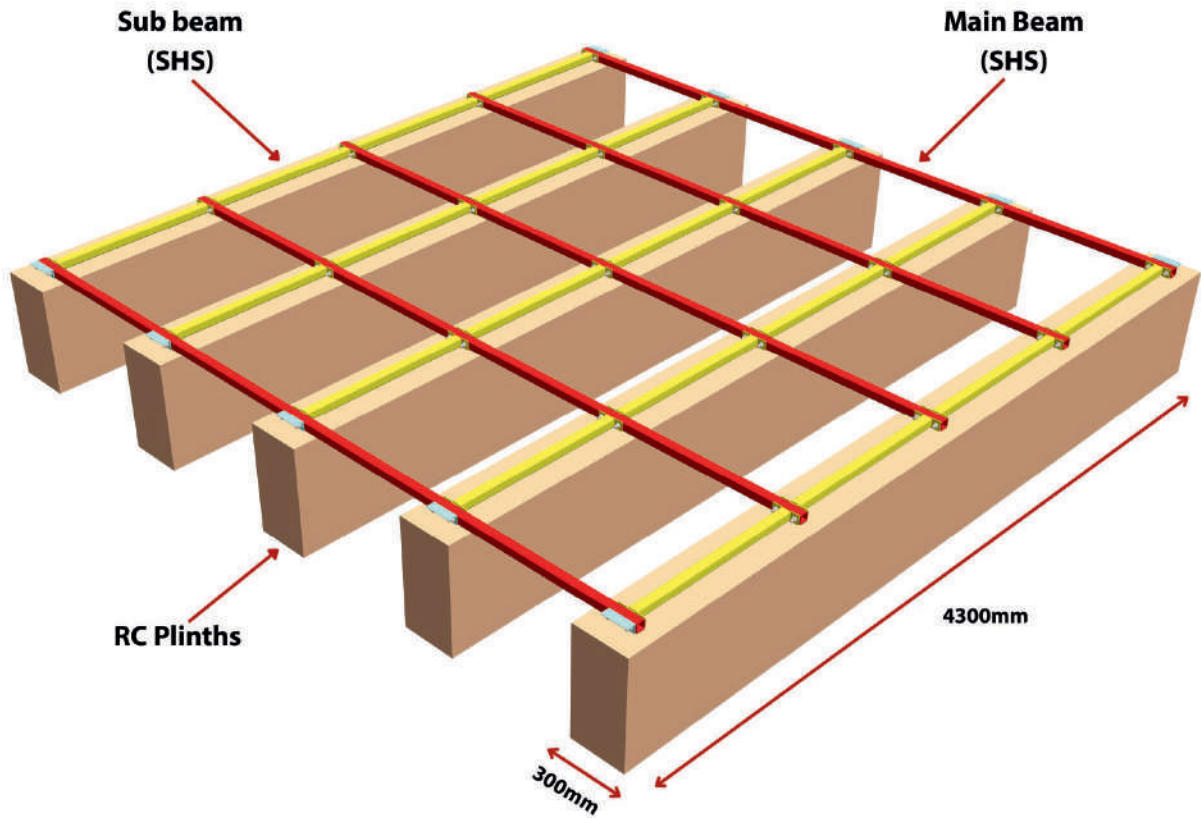


Manhole 1m x 1m

By encapsulating a 50mm layer of rigid polyurethane foam, pre-applied in the factory, PIPECO pre-insulated GRP tank panel could better stabilize the desired temperature of the water stored inside the tank, minimizing the effect of ambient condition to alter the water temperature. Please consult our approved partners and distributors to understand more of the capability and suitability of such insulation design

SKID BASE SPECIFICATIONS

Skid Base Specifications for GRP sectional water tank



4m x 4m foot print skid base illustration
RC Plinths c/c 1000mm

Tank Height	Main Beam	Sub Beam	Concrete Plinth Distance
1.0m	not provided	not provided	1000mm c/c
1.5m	Hollow Section 50mm x 50mm x 3mm(T)	Hollow Section 50mm x 50mm x 3mm(T)	1000mm c/c
2.0m	Hollow Section 50mm x 50mm x 3mm(T)	Hollow Section 50mm x 50mm x 3mm(T)	1000mm c/c
2.5m	Hollow Section 50mm x 50mm x 3mm(T)	Hollow Section 50mm x 50mm x 3mm(T)	1000mm c/c
3.0m	Hollow Section 50mm x 50mm x 3mm(T)	Hollow Section 50mm x 50mm x 3mm(T)	1000mm c/c
3.5m	Hollow Section 50mm x 50mm x 4mm(T)	Hollow Section 50mm x 50mm x 4mm(T)	1000mm c/c
4.0m	Hollow Section 50mm x 50mm x 4mm(T)	Hollow Section 50mm x 50mm x 4mm(T)	1000mm c/c

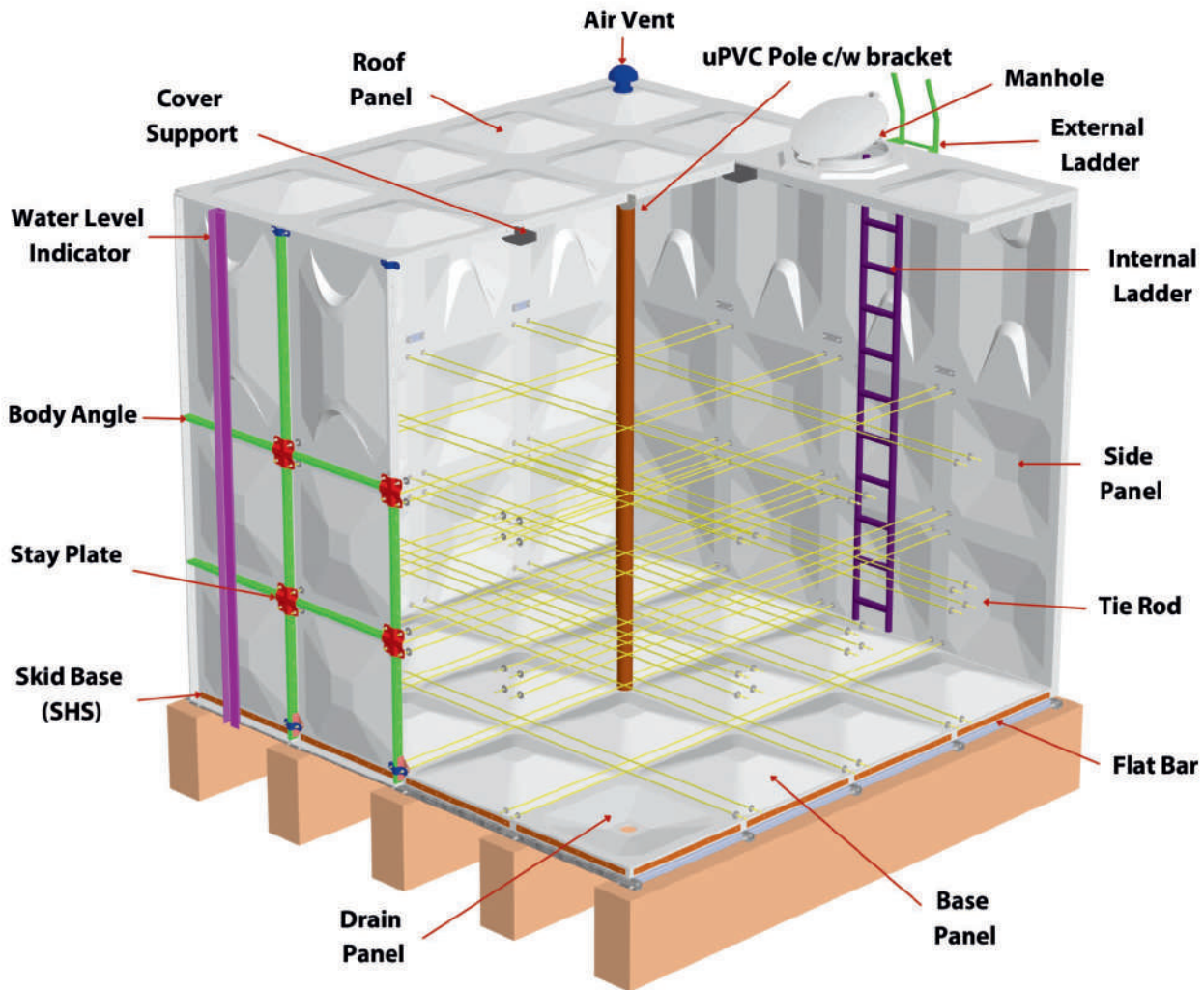
***PIPECO reserves the right to provide alternate skid base designs**

PIPECO recommends an ideal concrete plinth size of 300mm (W) x 500mm (H), with maximum variance in height of not more than 2mm

GRP SECTIONAL WATER TANK

Overview of internal structural support for GRP sectional water tank

PIPECO GRP sectional water tank is constructed with bottom, side and top panels, completes with external and internal structural reinforcement and necessary tank accessories to facilitate water storage



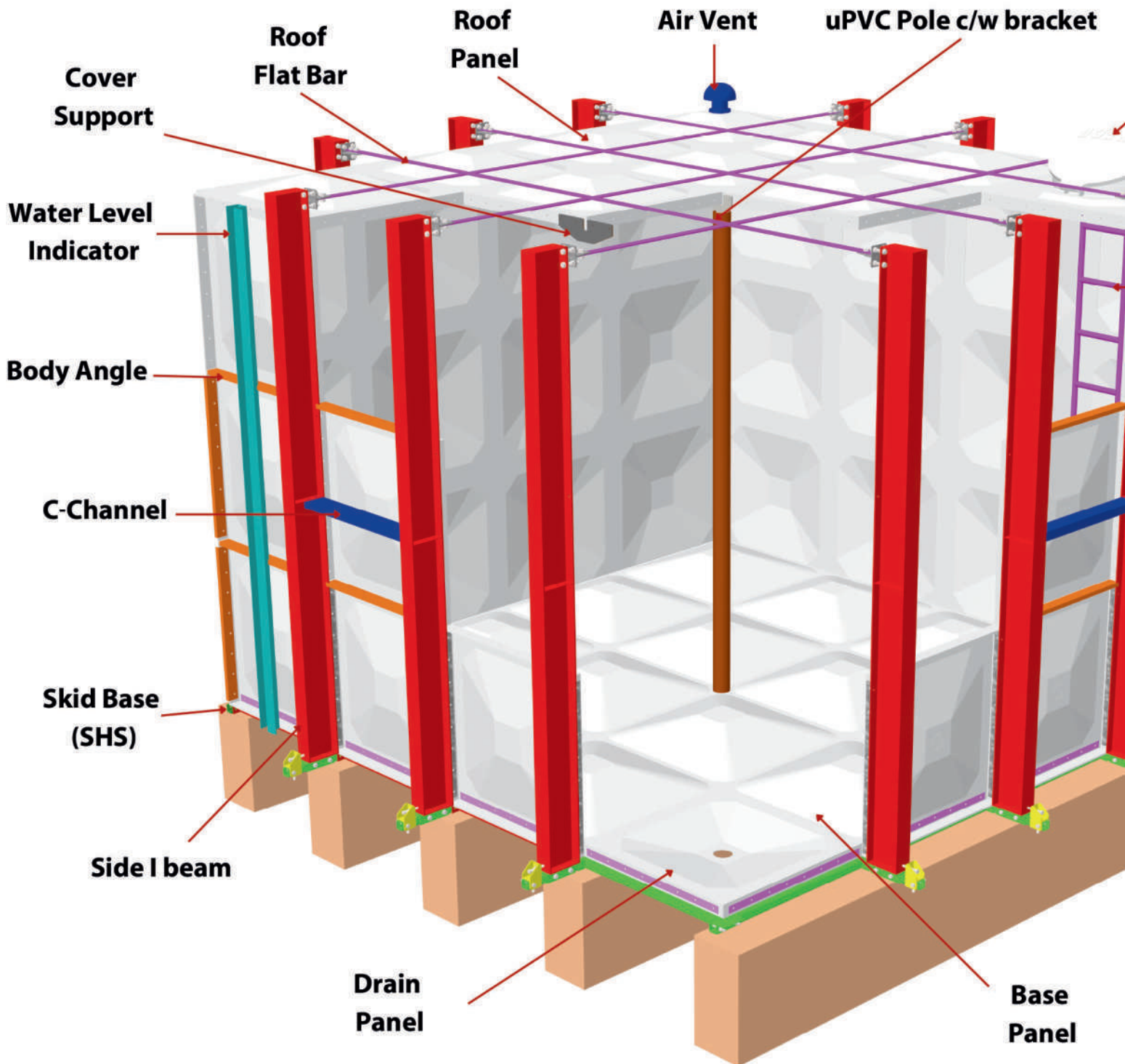
4m x 4m x 3.5m(H) GRP sectional water tank illustration

Note: Components shown are NOT TO SCALE

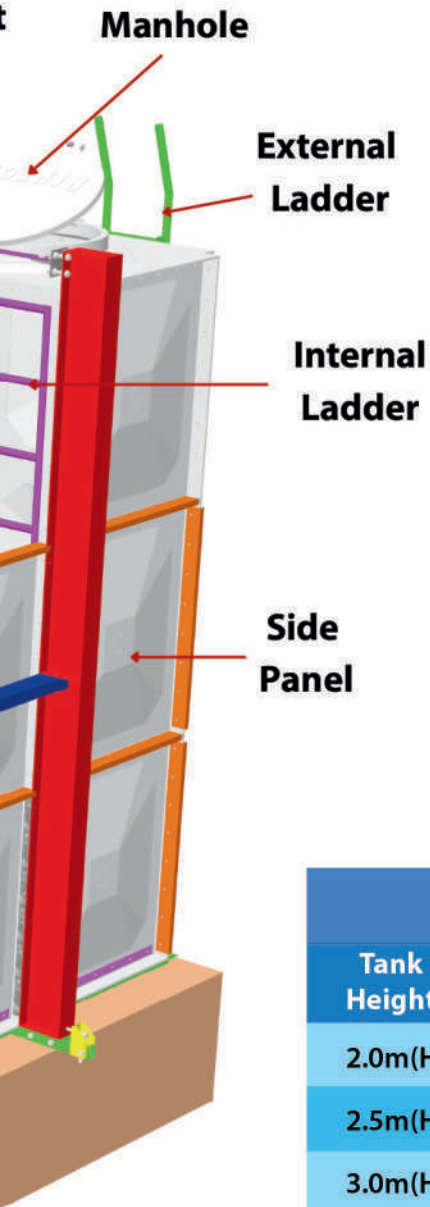
Main Components	External Structural Support	Internal Structural Support	Tank Accessories
Roof Panel Side Panel Base Panel Drain/Pit Panel	Body Angle Flat Bar Stay Plate	uPVC Pole Cover Support Tie Rod Cover Support	Access Manhole Air Vent Water Level Indicator Internal Ladder External Ladder

GRP EXTERNAL BRACED SECTIONAL WATER TANK

Overview of external structural support for GRP sectional water tank



*4m x 4m x 3.0m(H) external braced water tank illustration
Note : Components shown are NOT TO SCALE



Project Name : Camel Training and Swimming Pool in AL-Ain

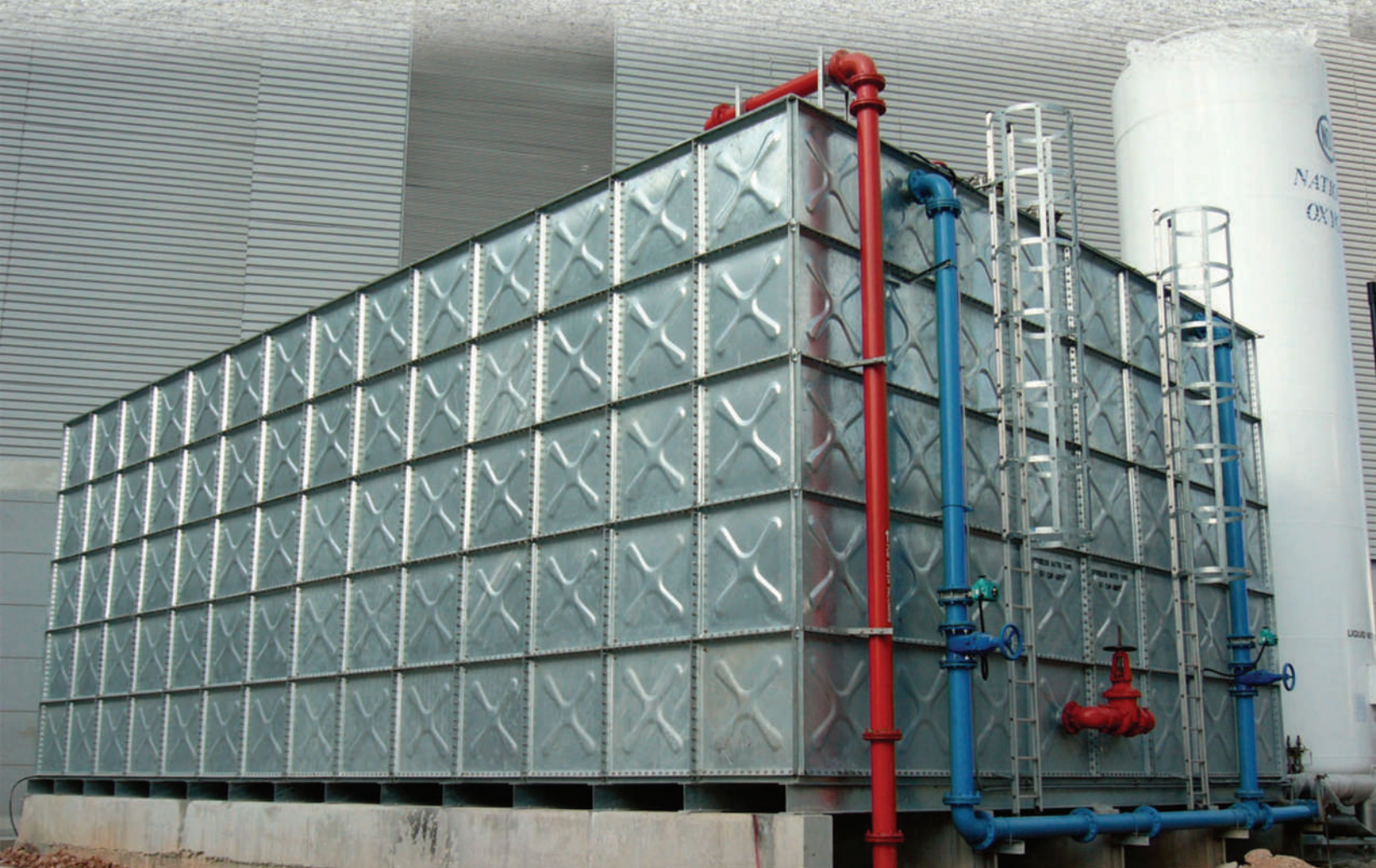


PIPECO External Braced GRP Tank Specification

Tank Height	Skid Base Type	Skid Base Size	Side I Beam Type	Side I Beam Size
2.0m(H)	SHS (Hollow)	50mm x 50mm	RHS (Hollow)	50mm x 125mm
2.5m(H)	SHS (Hollow)	50mm x 50mm	UB (I Beam)	100mm x 150mm
3.0m(H)	SHS (Hollow)	50mm x 50mm	UB (I Beam)	100mm x 200mm
3.5m(H)	UB (I Beam)	100mm x 150mm	UB (I Beam)	100mm x 200mm
4.0m(H)	UB (I Beam)	100mm x 150mm	UB (I Beam)	100mm x 250mm
4.5m(H)	UB (I Beam)	100mm x 150mm	UB (I Beam)	100mm x 300mm
5.0m(H)	UB (I Beam)	100mm x 200mm	UB (I Beam)	100mm x 300mm

SHS: Square Hollow Section, RHS: Rectangular Hollow Section, UB Universal Beam

PRESSED STEEL SECTIONAL WATER TANK



PRESSED STEEL SECTIONAL WATER TANK

GENERAL SPECIFICATIONS

Standard : PIPECO pressed steel sectional water tank constructed with hydraulically pressed flanged panels, conform to SANS 10329:2020, SS22:1979 and BS1564:1975

Materials : The steel used in the manufacture of the tank plates, stays and cleats conform to the requirements of ASTM A 1008 / 1001 Grade SS 50 or ISO equivalent

Manufacturing Process : Cold hydraulic presses

Flanges of Plates : The tank plates are pressed with a combined double flange at an angle of 45 degree and 90 degree to the face of the plate on four sides

Stays and Cleats : The stays and cleats are made of steel angle bar and steel plate

Bolts, Nuts and Washers: Hot Dipped Galvanised steel bolts, nuts and washers for internal and external

Jointing Materials : Non toxic PVC foam to be used for all jointing between tank panel flange

Tank Cover : Panel type steel cover supported by trusses

Access Manhole : 530mm x 530mm square manhole

Water Level Indicator : Reverse Reading Pointer Mechanical Type (Cat & Mouse)

Ladder : Aluminium or HDG Steel ladder for internal and external access

Finish : Hot Dip Galvanised conform to ISO 1461

Standard Panel Thickness under SANS 10329 and SS 22/BS1564

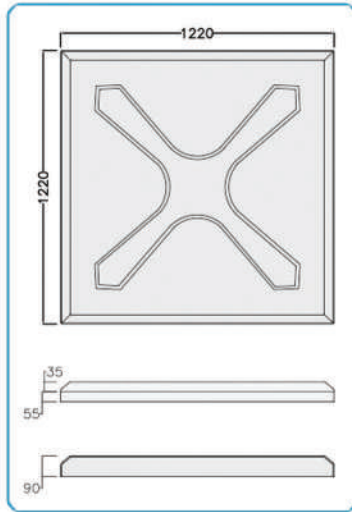
SANS 10329 : 2020					SS 22 : 1979/BS1564:1975			
Type	1.22m (H)	2.44m (H)	3.66m (H)	4.88m (H)	1.22m (H)	2.44m (H)	3.66m (H)	4.88m (H)
4th side panels				3.0mm				5.0mm
3rd side panels			3.0mm	3.0mm			5.0mm	5.0mm
2nd side panels		3.0mm	3.0mm	4.5mm		5.0mm	5.0mm	5.0mm
1st side panels	3.0mm	3.0mm	4.5mm	5.0mm	5.0mm	5.0mm	5.0mm	6.0mm
Bottom panels	3.0mm	3.0mm	4.5mm	5.0mm	5.0mm	5.0mm	5.0mm	6.0mm

Type	1.0m (H)	2.0m (H)	3.0m (H)	4.0m (H)	1.0m (H)	2.0m (H)	3.0m (H)	4.0m (H)
4th side panels				3.0mm				5.0mm
3rd side panels			3.0mm	3.0mm			5.0mm	5.0mm
2nd side panels		3.0mm	3.0mm	4.5mm		5.0mm	5.0mm	5.0mm
1st side panels	3.0mm	3.0mm	4.5mm	5.0mm	5.0mm	5.0mm	5.0mm	5.0mm
Bottom panels	3.0mm	3.0mm	4.5mm	5.0mm	5.0mm	5.0mm	5.0mm	5.0mm

Note : Specification may vary according to customer requirements.

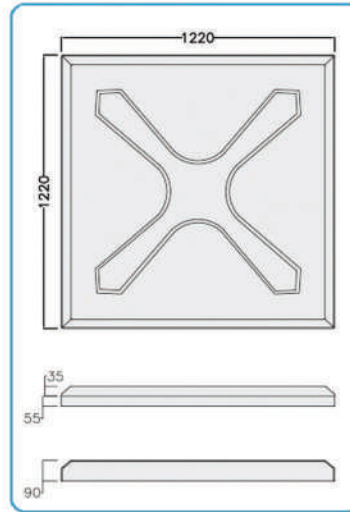
PRESSED STEEL SECTIONAL WATER TANK

BASE PANEL



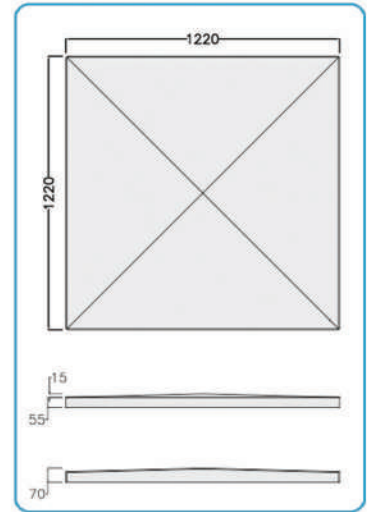
Base Panel 1.22m x 1.22m

SIDE PANEL



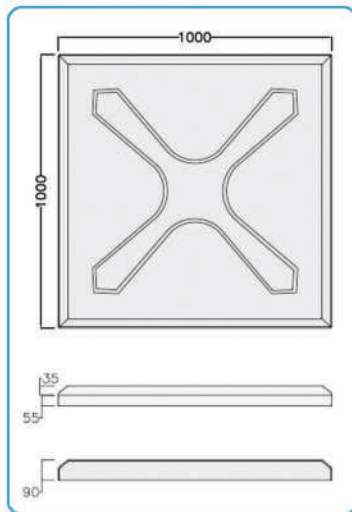
Side Panel 1.22m x 1.22m

ROOF PANEL



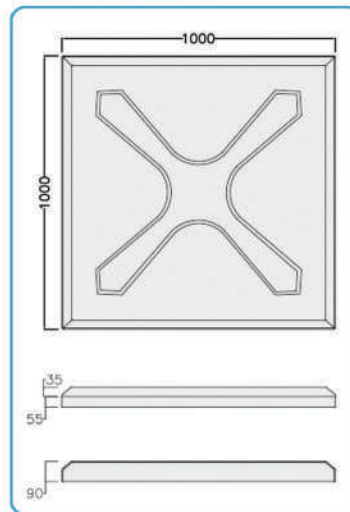
Roof Panel 1.22m x 1.22m

BASE PANEL



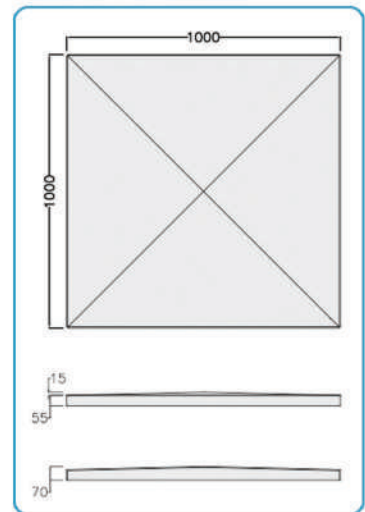
Base Panel 1m x 1m

SIDE PANEL



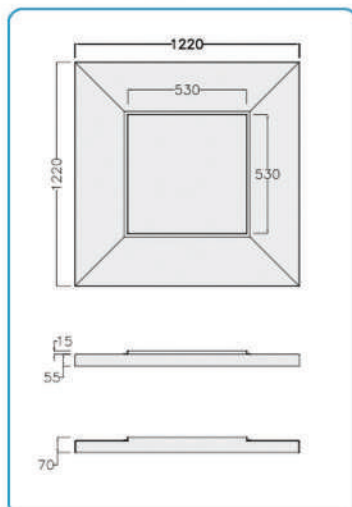
Side Panel 1m x 1m

ROOF PANEL

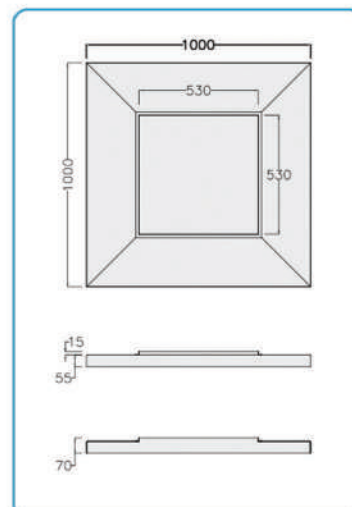


Roof Panel 1m x 1m

MANHOLE PANEL



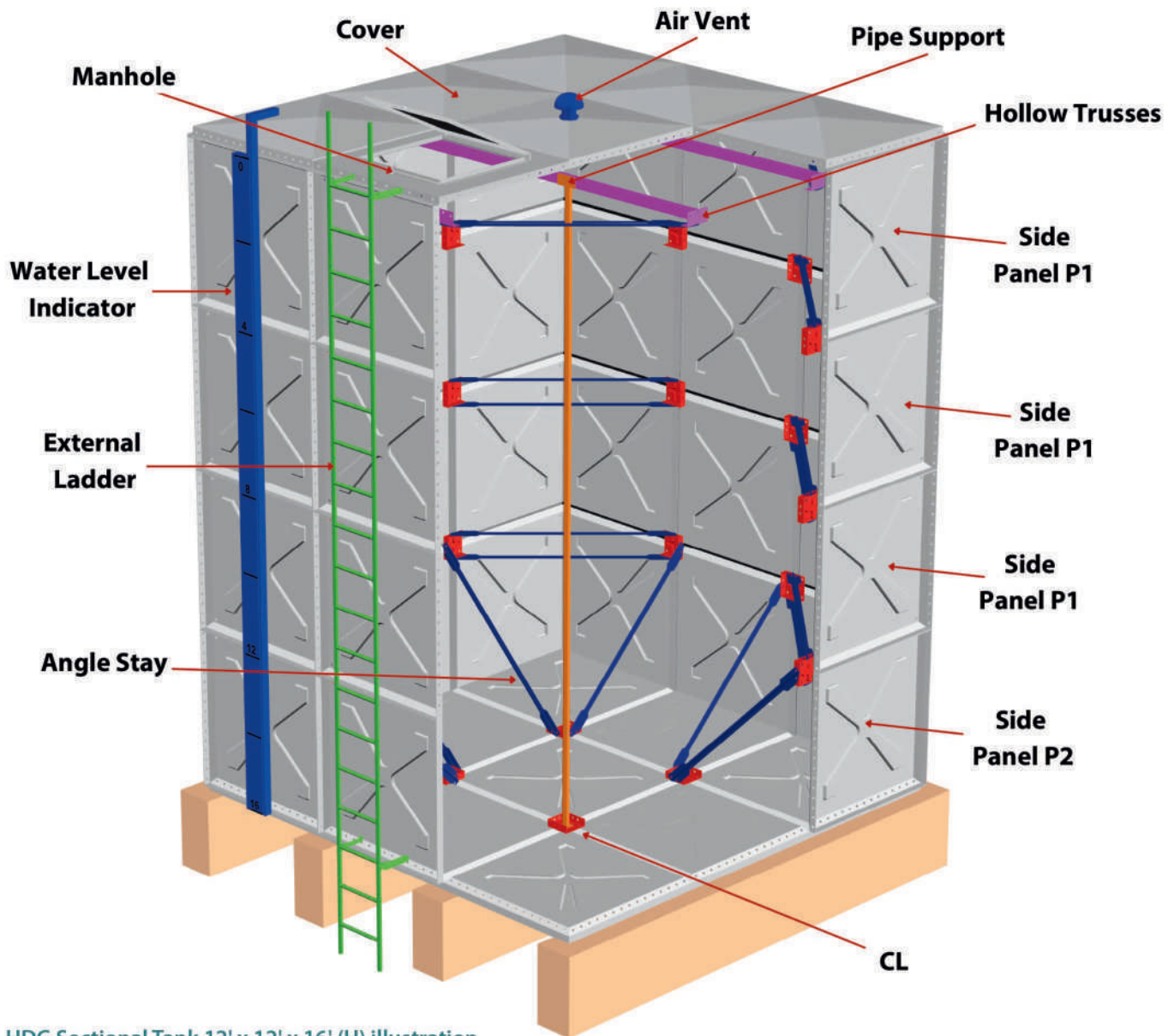
Manhole Panel 1.22m x 1.22m



Manhole Panel 1m x 1m

PRESSED STEEL SECTIONAL WATER TANK

Overview of internal structural support for Pressed Steel sectional water tank



HDG Sectional Tank 12' x 12' x 16' (H) illustration
 Note: Components shown are NOT TO SCALE

Main Components	External Structural Support	Internal Structural Support	Tank Accessories
Cover Panel Side Panel Base Panel	Body Angle Flat Bar Stay Plate	Hollow Trusses Pipe Support Angle Stay Cover Support CL	Access Manhole Air Vent Water Level Indicator Internal Ladder External Ladder

PRESSED STAINLESS STEEL SECTIONAL WATER TANK

GENERAL SPECIFICATIONS

Standard :

PIPECO pressed stainless steel sectional water tank constructed with hydraulically pressed flanged panels, conform to CNS 9443:2000 standard.

Materials:

The tank panel, tie rods, stays and cleats are made from Stainless Steel Grade 304 / 316

Flanges of Plates :

Tank panels pressed with a 90° panel flange to the face of the plate on four sides

Bolts, Nuts and Washers :

SS 304/ SS316 bolts, nuts and washer

Sealing Materials :

Non toxic PVC foam to be used for all jointing between tank panel flange

Tank Cover :

Panel type tank cover supported by trusses
600mm x 600mm square manhole and supplied as standard for each compartment

Water Level Indicator :

Standard : Reverse Reading Pointer Mechanical Type (Cat & Mouse)
Optional : Direct Reading Clear Tube Type

Nozzles for Connection :

Short pipe with flange or socket for all pipe connections

Ladder :

Internal ladder shall be made of SS 304/SS316 and aluminium for external ladder, 300mm width

Skid Base :

As per Pipeco design

Standard Thickness for 1.22m x 1.22m Tank Panel

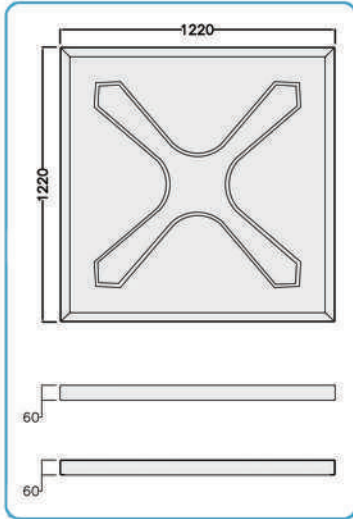
Type	1.22m (H)	2.44m (H)	3.66m (H)	4.88m (H)
Tank covers	1.5mm	1.5mm	1.5mm	1.5mm
4th side panels				2.5mm
3rd side panels			2.5mm	2.5mm
2nd side panels		2.5mm	3.0mm	3.0mm
1st side panels	2.5mm	2.5mm	4.0mm	4.0mm
Bottom panels	2.5mm	2.5mm	4.0mm	4.0mm

Standard Thickness for 1.0m x 1.0m Tank Panel

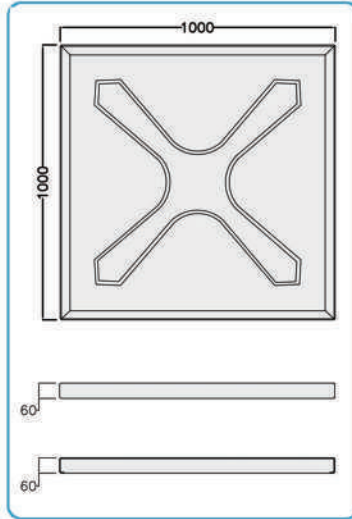
Type	1.0m (H)	1.5m (H)	2.0m (H)	2.5m(H)	3.0m (H)	3.5m (H)	4.0m (H)
Tank covers	1.5mm	1.5mm	1.5mm	1.5mm	1.5mm	1.5mm	1.5mm
4th side panels						2mm(1x1.5m)	2mm(1x2m)
3rd side panels				2mm(1x1.5m)	2mm(1x2m)		
2nd side panels		2mm(1x1.5m)	2mm(1mx2m)			2.5mm	4.0mm
1st side panels	2.0mm			2.5mm	2.5mm	3.0mm	4.0mm
Bottom panels	2.0mm	2.0mm	2.0mm	2.5mm	3.0mm	4.0mm	4.0mm

Note : Specification may vary according to customer requirements.

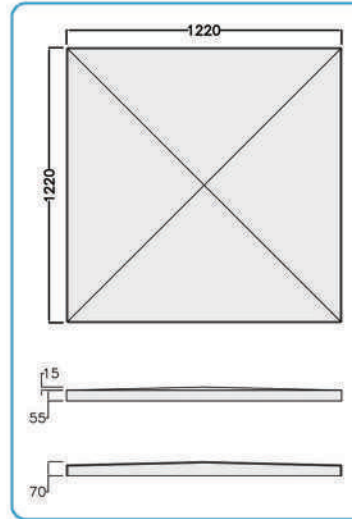
PRESSED STAINLESS STEEL SECTIONAL WATER TANK



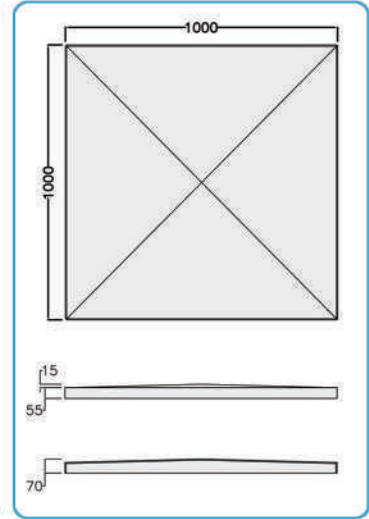
Base Panel 1.22m x 1.22m



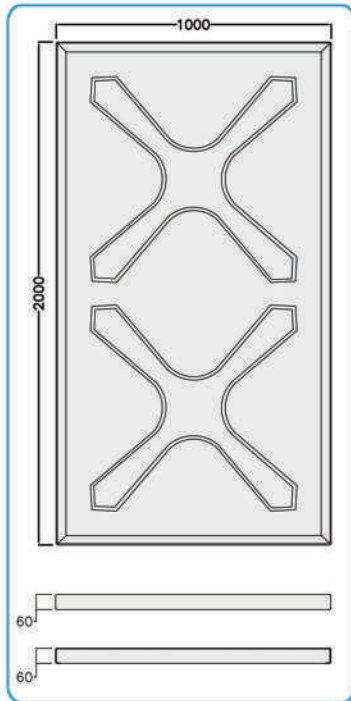
Base Panel 1.0m x 1.0m



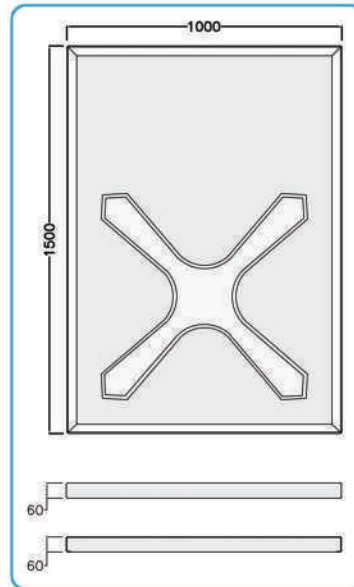
Roof Panel 1.22m x 1.22m



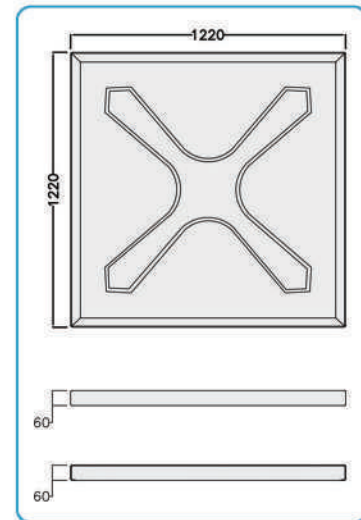
Roof Panel 1.0m x 1.0m



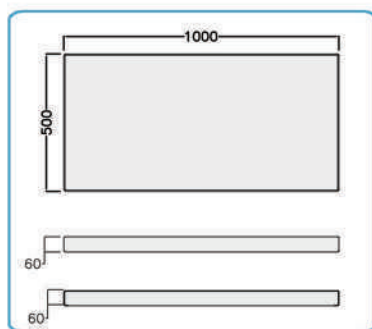
Side Panel 1.0m x 2.0m



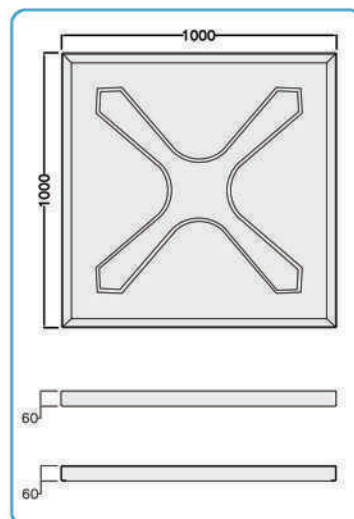
Side Panel 1.0m x 1.5m



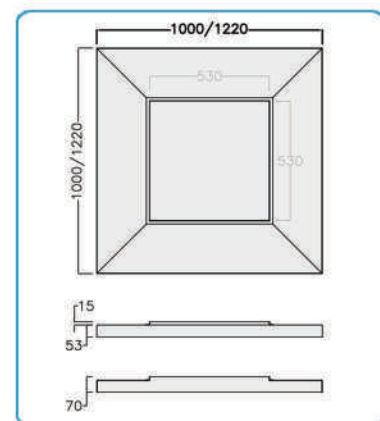
Side Panel 1.22m x 1.22m



Side Panel 0.5m x 1.0m



Side Panel 1.0m x 1.0m



Manhole



Roodepoort, South Africa



Broome Hospital, Australia



Union Ajinomoto Makati City, Philippines



Qatar



U.A.E

BRANCH OFFICES

AUSTRALIA OFFICE **PIPECO TANKS AUSTRALIA (CONSULTING SERVICES)**

Melbourne, Australia
E-mail : pipeco.tanks.australia@gmail.com

SINGAPORE OFFICE **PIPECO TANKS SINGAPORE PTE. LTD.**

Singapore 416032.
Tel : +65-6745 3773
Fax : +65-6743 2412

SOUTH AFRICA OFFICE **PCWTANKS PTY LTD**

Sunderland Ridge, Centurion, South Africa
Mob : +27829460026
E-mail: husain.allli1@gmail.com

TAIWAN OFFICE **PIPECO INTERNATIONAL INDUSTRY CO., LTD**

Taipei, Taiwan
Tel: +886-2-2788-1099
Fax: +886-2-2788-0159
E-mail: pipeco@pipeco.com.tw

U.A.E OFFICE **PIPECO WATER TANKS L.L.C.**

1108, 11th floor, Horizon Towers - D . Al Rashidiya -1
Ajman - UAE
Tel: +971 67410962
Tel: +971 522806786
Email: abid@pipecowatertankslc.ae

WORLDWIDE DISTRIBUTORS

EUROPE / NORTH AFRICA **CETAC**

Tel: +33 6 87 55 56 73
E-mail: frederic.cetec@gmail.com

CENTRAL AMERICA (PANAMA) **CLEAN AQUA PANAMA**

Tel: +50763931553
E-mail: info@cleanaquapanama.com

HONG KONG **GATE WAY VALVE & FITTING LTD**

Tel: +852 2688 2666
E-mail : info@gatewayv.com.hk

INDONESIA **PT PIPECO TANKS INDONESIA**

Tel : +62-21-8313259
Email : tangki@pipeco.id

MYANMAR **HAN SEIN THANT TRADING CO., LTD**

E-mail : james.purity@gmail.com

NIGERIA **SORNIK ASSOCIATES LTD**

Tel : +234 8033054023
: +234 8188884032
Email : sornikassociate@gmail.com

PHILIPPINES **FLOWMETRICS INDUSTRIAL SALES INC.**

Tel : +632 3543144 Fax : +632 9605436
E-mail : sales@flowmetrics.ph

QATAR **CISTERNA TRADING & CONTRACTING**

Tel: +974 4487 3850
Fax: +974 4487 3826
Mobile: +974 5514 1030
E-mail: info@cisterna.qa
E-mail: mohdzeli@gmail.com

SAUDI ARABIA **PIPECO WATER TANKS COMPANY**

Tel: +966 11 4785467
E-mail : shafi@pipecotanksa.com

SINGAPORE **PIPELINK BECKHAM PTE. LTD.**

Tel : +65-6383 5578 Fax : +65-6383 5580
E-mail : pipelink@singnet.com.sg

SULTANATE OF OMAN **AL ANSARI TRADING ENTERPRISE LLC**

Tel : +968-2481 0033 Fax : +978-2481 2522
E-mail : contactus@alansarioman.com

UNITED ARAB EMIRATES **GRP PIPECO TANKS TRADING LLC (SOLE DISTRIBUTOR)**

Tel: +971 6 526 9982 / +971 56 150 4282
E-mail: sales@pipecogrp.com / sales@grppaneltank.com

VIETNAM **LUONG HAI HUANG CO.,LTD (H2L GROUP)**

Tel : +84 945 980 479 Fax : +84 8 3852 1145
E-mail : sales@h2lgroup.com

WESTERN AFRICA **SOTRAD WATER**

Tel: +32 493 09 08 19
E-mail: ra@sotradwater.be

HEAD OFFICE & FACTORY

PIPECO TANKS MALAYSIA SDN BHD

Lot 3, Lorong 2/1, Solok Sultan Hishamuddin 1, Kawasan Perusahaan Selat Kelang Utara,
42000 Pelabuhan Klang, Selangor Darul Ehsan, Malaysia.

Tel: +603 3176 3318
Customer Careline: +6018 391 6318
Fax: +603 3176 0318
Email: pipeco@pipeco.com.my ; info@pipeco.com.my

www.pipeco.com.my



Website

+6018 391 6318



WhatsApp

Pipeco Malaysia



WeChat